



250 ksps, 8-Channel, Software Selectable True bipolar Input, 12-Bit Plus Sign ADC

Preliminary Technical Data

AD7329*

FEATURES

12-Bit Plus Sign SAR ADC

Accepts True Bipolar Analog Inputs

Software Selectable input Ranges

$\pm 10V$, $\pm 5V$, $\pm 2.5V$, 0 to 10 V

Eight Analog Input Channels with Channel Sequencer

Single Ended, True Differential and Pseudo Differential

Analog Input Capability.

High Impedance Analog Inputs

Low Power: 12 mW

Full Power Bandwidth of > TBD MHz

High Speed Serial Interface SPI/QSPI/DSP/MICROWIRE Compatible

Mux Out and ADC in pins allows separate access to Mux and ADC

iCMOS™ Process Technology

24 Lead TSSOP package

PRODUCT OVERVIEW

The AD7329 is an 8-Channel, 12-Bit Plus Sign Successive Approximation ADC. The ADC has a high-speed serial interface that can operate at throughput rates up to TBD ksps.

The AD7329 can accept True Bipolar Analog input signals. The AD7329 has four software selectable ranges, $\pm 10V$, $\pm 5V$, $\pm 2.5V$ and 0 to 10V. Each analog input channel can be independently programmed to one of the input ranges by setting the appropriate bits in the Range Registers.

The Analog Input Channels can be configured as single ended, fully differential or pseudo differential. Dedicated Control Register bits are used to configure the Analog inputs.

The ADC contains a 2.5V Internal reference. The AD7329 also allows for external Reference operation. If a 3V external reference is applied to the REFIN/OUT pin, the ADC can handle a True Bipolar $\pm 12V$ Analog input range. V_{DD} and V_{SS} supplies of $\pm 12V$ are required for this $\pm 12V$ input range.

* Protected by U.S. Patent No. 6,731,232

iCMOS™ Process Technology

For analog systems designers within industrial/instrumentation equipment OEMs who need high performance ICs at higher-voltage levels, iCMOS is a technology platform that enables the development of analog ICs capable of 30V and operating at +/- 15V supplies while allowing dramatic reductions in power consumption and package size, and increased AC and DC performance.

Rev. PrB

Information furnished by Analog Devices is believed to be accurate and reliable. However, no responsibility is assumed by Analog Devices for its use, nor for any infringements of patents or other rights of third parties that may result from its use. Specifications subject to change without notice. No license is granted by implication or otherwise under any patent or patent rights of Analog Devices. Trademarks and registered trademarks are the property of their respective companies.

FUNCTIONAL BLOCK DIAGRAM

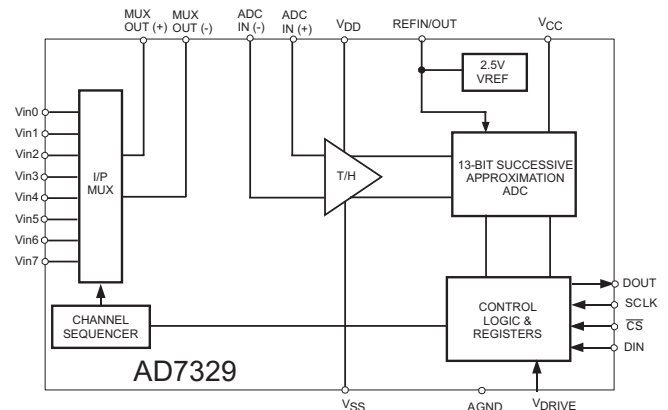


Figure 1. AD7329 Block Diagram

The AD7329 has multiplexer output pins and ADC input pins. These allow the user to insert buffers, differential amplifiers or antialiasing filters, if required, between the Multiplexer and the ADC. This means that for eight analog inputs only a single driver is required for the AD7329.

The AD7329 has a number of power down mode to reduce power consumption at lower throughput rates.

PRODUCT HIGHLIGHTS

1. The AD7329 can accept True Bipolar Analog Input signals, $\pm 10V$, $\pm 5V$, $\pm 2.5V$ and 0 to 10V unipolar signals.
2. The Eight Analog Inputs can be configured as 8 Single-Ended inputs, 4 True Differential, 4 Pseudo Differential or 7 Pseudo Differential Inputs.
3. SPI/QSPI/DSP/MICROWIRE compatible Interface.
4. Low Power, TBD mW at maximum throughput rate.
5. Channel Sequencer..

TABLE OF CONTENTS

| | | | |
|-----------------------------------|----|--------------------------|----|
| AD7329—SPECIFICATIONS | 3 | SEQUENCER OPERATION..... | 19 |
| ABSOLUTE MAXIMUM RATINGS | 7 | MODES OF OPERATION | 23 |
| PIN FUNCTIONAL DESCRIPTIONS | 8 | SERIAL INTERFACE..... | 24 |
| TERMINOLOGY | 10 | OUTLINE DIMENSIONS..... | 25 |
| THEORY OF OPERATION..... | 11 | | |
| AD7329 REGISTERS..... | 15 | | |

REVISION HISTORY

Revision PrB: Preliminary Version

AD7329—SPECIFICATIONS¹Table 1. Unless otherwise noted, $V_{DD} = +12V$ to $+16.5V$, $V_{SS} = -12V$ to $-16.5V$, $V_{CC} = 2.7V$ to $5.25V$, $V_{DRIVE} = 2.7V$ to $5.25V$, $V_{REF} = 2.5V$ Internal/External, $f_{SCLK} = 5$ MHz, $f_s = 250$ kpsps $T_A = T_{MAX}$ to T_{MIN}

| Parameter | Specification | Units | Test Conditions/Comments |
|---|---|--------------|---|
| DYNAMIC PERFORMANCE | | | |
| Signal to Noise Ratio (SNR) ² | 76 | dB min | $F_{IN} = 50$ kHz Sine Wave Differential Mode |
| | 72 | dB min | Single-Ended/Pseudo Differential Mode |
| Signal to Noise + Distortion (SINAD) ² | 75 | dB min | Differential Mode |
| | 71.5 | dB min | Single-Ended/Pseudo Differential Mode |
| Total Harmonic Distortion (THD) ² | -80 | dB max | |
| Peak Harmonic or Spurious Noise (SFDR) ² | -80 | dB max | |
| Intermodulation Distortion (IMD) ² | | | $F_a = 40.1$ kHz, $F_b = 41.5$ kHz |
| Second Order Terms | -88 | dB typ | |
| Third Order Terms | -88 | dB typ | |
| Aperature Delay | 10 | ns max | |
| Aperature Jitter | 50 | ps typ | |
| Common Mode Rejection (CMRR) | TBD | dB typ | |
| Channel-to-Channel Isolation | -80 | dB typ | $F_{IN} =$ TBD kHz |
| Full Power Bandwidth | TBD | MHz typ | @ 3 dB |
| | TBD | MHz typ | @ 0.1 dB |
| DC ACCURACY | | | |
| Resolution | 12 + Sign | Bits | |
| Integral Nonlinearity ² | ± 1.5 | LSB max | |
| Differential Nonlinearity ² | ± 0.95 | LSB max | Guaranteed No Missing Codes to 13-Bits |
| Offset Error ² | ± 8 | LSB max | Unipolar Range with Straight Binary output coding |
| Offset Error Match | ± 0.5 | LSB max | |
| Gain Error ² | ± 6 | LSB max | |
| Gain Error Match | ± 0.6 | LSB max | |
| Positive Full-Scale Error ² | ± 3 | LSB max | Bipolar Range with Twos Complement Output Coding |
| Positive Full Scale Error Match | ± 0.6 | LSB max | |
| Bipolar Zero Error ² | ± 8 | LSB max | |
| Bipolar Zero Error Match | ± 0.5 | LSB max | |
| Negative Full Scale Error ² | ± 4 | LSB max | |
| Negative Full Scale Error Match | ± 0.5 | LSB max | |
| ANALOG INPUT | | | |
| Input Voltage Ranges (Programmed via Range Register) | $\pm 10V$ $\pm 5V$ $\pm 2.5V$ 0 to 10V | Volts | $V_{DD} = +10V$ min, $V_{SS} = -10V$ min, $V_{CC} = 2.7V$ to $5.25V$ $V_{DD} = +5V$ min, $V_{SS} = -5V$ min, $V_{CC} = 2.7V$ to $5.25V$ $V_{DD} = +5V$ min, $V_{SS} = -5V$ min, $V_{CC} = 2.7V$ to $5.25V$ $V_{DD} = +10V$ min, $V_{SS} = AGND$ min, $V_{CC} = 2.7V$ to $5.25V$ See Table 5 |
| DC Leakage Current | ± 10 | nA max | |
| Input Capacitance | 12 | pF typ | When in Track, $\pm 10V$ Range |
| | 15 | pF typ | When in Track, $\pm 5V$, 0 to 10V Range |
| | 20 | pF typ | When in Track, $\pm 2.5V$ Range |
| | 3 | pF typ | When in Hold |
| REFERENCE INPUT/OUTPUT | | | |
| Input Voltage Range | +2.5 to +3V | V min to max | |
| Input DC Leakage Current | ± 1 | μA max | |
| Input Capacitance | 20 | pF typ | |
| Reference Output Voltage | 2.49/2.51 | Vmin/max | |

| Parameter | Specification | Units | Test Conditions/Comments |
|--|--|------------|---|
| Reference Temperature Coefficient | 25 | ppm/°C max | |
| | 10 | ppm/°C typ | |
| Reference Output Impedance | 25 | Ω typ | |
| LOGIC INPUTS | | | |
| Input High Voltage, V_{INH} | 2.4 | V min | $V_{CC} = 4.75$ to 5.25 V $V_{CC} = 2.7$ to 3.6 V $V_{IN} = 0V$ or V_{CC} |
| Input Low Voltage, V_{INL} | 0.8 | V max | |
| | 0.4 | V max | |
| Input Current, I_{IN} | ± 1 | μA max | |
| Input Capacitance, C_{IN}^3 | 10 | pF max | |
| LOGIC OUTPUTS | | | |
| Output High Voltage, V_{OH} | $V_{DRIVE} - 0.2V$ | V min | $I_{SOURCE} = 200$ μA $I_{SINK} = 200$ μA |
| Output Low Voltage, V_{OL} | 0.4 | V max | |
| Floating State Leakage Current | ± 1 | μA max | Coding bit set to 1 in Control Register Coding bit set to 0 in Control Register |
| Floating State Output Capacitance ³ | 10 | pF max | |
| Output Coding | Straight Natural Binary Two's Complement | | |
| | | | |
| CONVERSION RATE | | | |
| Conversion Time | 3.2 | μs max | 16 SCLK Cycles with SCLK = 5 MHz Sine Wave Input Full Scale Step input See Serial Interface section |
| Track-and-Hold Acquisition Time | TBD | ns min | |
| | TBD | ns min | |
| Throughput Rate | 250 | kSPS max | |
| POWER REQUIREMENTS | | | |
| V_{DD}^4 | 12V/+16.5V | V min/max | Digital Inputs = 0V or V_{CC} See Table 5 |
| V_{SS}^4 | -12V/16.5V | V min/max | See Table 5 |
| V_{CC} | 2.7V / 5.25V | V min/max | See Table 5 |
| V_{DRIVE} | 2.7V/5.25V | V min/max | |
| Normal Mode | | | |
| I_{DD} | 300 | μA max | $V_{DD} = +16.5V$ $V_{SS} = -16.5V$ $V_{CC} = 5.25V$ $F_{SAMPLE} = TBD$ |
| I_{SS} | 370 | μA max | |
| I_{CC} | 2 | mA max | |
| Auto-Standby Mode | | | |
| I_{DD} | TBD | μA max | $F_{SAMPLE} = TBD$ |
| I_{SS} | TBD | μA max | |
| I_{CC} | 1.6 | mA typ | |
| Auto-Standby Mode | | | |
| I_{DD} | TBD | μA max | $F_{SAMPLE} = TBD$ |
| I_{SS} | TBD | μA max | |
| I_{CC} | 1 | mA typ | |
| Full Shutdown Mode | | | |
| I_{DD} | 0.9 | μA max | SCLK On or Off |
| I_{SS} | 0.9 | μA max | |
| I_{CC} | 0.9 | μA max | |
| POWER DISSIPATION | | | |
| Normal Mode | | | |
| | 26 | mW max | $V_{DD} = +16.5V$, $V_{SS} = -16.5V$, $V_{CC} = 5.25V$, $V_{DD} = +5V$, $V_{SS} = -5V$, $V_{CC} = 5V$, $V_{DD} = +16.5V$, $V_{SS} = -16.5V$, $V_{CC} = 5.25V$, |
| | 12 | mW typ | |
| Full Shutdown Mode | | | |
| | 35 | μW max | |

NOTES

¹ Temperature ranges as follows: -40°C to +85°C

² See Terminology

³ Guaranteed by initial Characterization

⁴ Functional from $V_{DD} = +4.75V$ and $V_{SS} = -4.75$

Specifications subject to change without notice.

TIMING SPECIFICATIONS

Table 2. Unless otherwise noted, $V_{DD} = +12V$ to $+16.5V$, $V_{SS} = -12$ to $-16.5V$, $V_{CC} = 2.7V$ to 5.25 , $V_{DRIVE} = 2.7V$ to 5.25 , $V_{REF} = 2.5V$ Internal/External, $T_A = T_{MAX}$ to T_{MIN}

| Parameter | Limit at T_{MIN} , T_{MAX} | Unit | Description |
|---------------|--------------------------------|-------------|--|
| f_{SCLK} | 20 | kHz min | |
| | 5 | MHz max | |
| $t_{CONVERT}$ | $16 \times t_{SCLK}$ | ns max | $T_{SCLK} = 1/f_{SCLK}$ |
| t_{QUIET} | 50 | ns min | Minimum Time between End of Serial Read and Next Falling Edge of \overline{CS} |
| t_1 | 10 | ns min | Minimum \overline{CS} pulse width |
| t_2 | 10 | ns min | \overline{CS} to SCLK Setup Time |
| t_3 | 20 | ns max | Delay from \overline{CS} until D_{OUT} Three-State Disabled |
| t_4 | TBD | ns max | Data Access Time after SCLK Falling Edge. |
| t_5 | $0.4t_{SCLK}$ | ns min | SCLK Low Pulsewidth |
| t_6 | $0.4t_{SCLK}$ | ns min | SCLK High Pulsewidth |
| t_7 | 10 | ns min | SCLK to Data Valid Hold Time |
| t_8 | 25 | ns max | SCLK Falling Edge to D_{OUT} High Impedance |
| | 10 | ns min | SCLK Falling Edge to D_{OUT} High Impedance |
| t_9 | TBD | ns min | DIN set-up time prior to SCLK falling edge |
| t_{10} | 5 | ns min | DIN hold time after SCLK falling edge |
| | 1 | μs max | Power up from Auto Standby |
| | TBD | μs max | Power up from Full Shutdown/Auto Shutdown Mode |

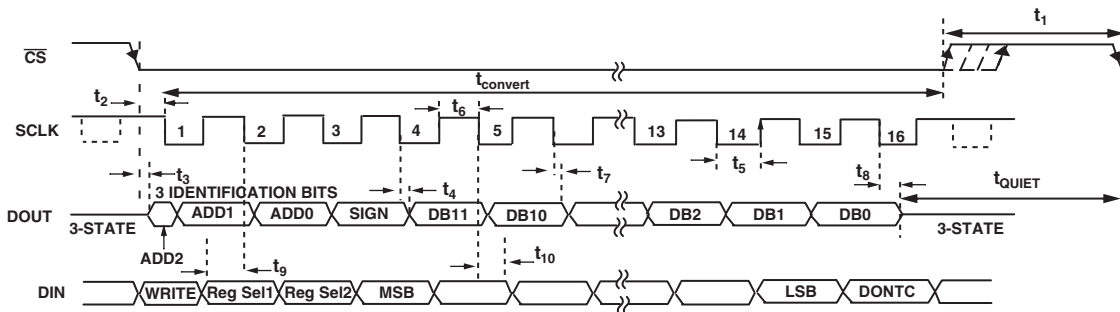


Figure 2. Serial Interface timing Diagram

ABSOLUTE MAXIMUM RATINGS**Table 3. $T_A = 25^\circ\text{C}$, unless otherwise noted**

| | |
|---|---|
| V_{DD} to AGND, DGND | -0.3 V to +16.5 V |
| V_{SS} to AGND, DGND | +0.3 V to -16.5 V |
| V_{CC} to AGND, DGND | -0.3V to +7V |
| V_{DRIVE} to DGND | -0.3 V to +7 V |
| AGND to DGND | -0.3 V to +0.3 V |
| Analog Input Voltage to AGND | $V_{SS} - 0.5\text{V}$ to $+V_{DD} + 0.5\text{V}$ |
| ADC_IN(-), ADC_IN(+) to AGND | $V_{SS} - 0.5\text{V}$ to $+V_{DD} + 0.5\text{V}$ |
| MUX_OUT(-), MUX_OUT(+) to AGND | $V_{SS} - 0.5\text{V}$ to $+V_{DD} + 0.5\text{V}$ |
| Digital Input Voltage to DGND | -0.3 V to +7 V |
| Digital Output Voltage to GND | -0.3 V to $V_{DRIVE} + 0.3\text{V}$ |
| REF _{IN} to AGND | -0.3 V to $V_{CC} + 0.3\text{V}$ |
| Input Current to Any Pin Except Supplies ² | $\pm 10\text{mA}$ |
| Operating Temperature Range | -40°C to +85°C |
| Storage Temperature Range | -65°C to +150°C |
| Junction Temperature | +150°C |
| TSSOP Package | |
| θ_{JA} Thermal Impedance | 143 °C/W |
| θ_{JC} Thermal Impedance | 45 °C/W |
| Pb/SN Temperature, Soldering | |
| Reflow (10 s to 30 s) | 240(+0/-5)°C |
| Pb-free Temperature, Soldering | |
| Reflow | 260(+0)°C |
| ESD | TBD |

Pin Functional Descriptions

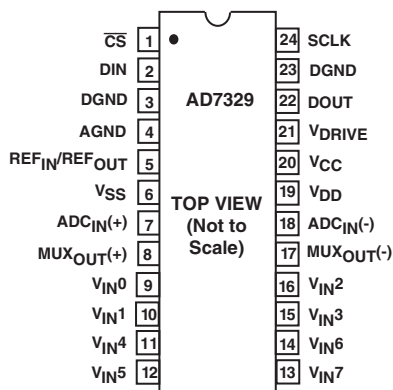


Figure 3. AD7329 Pin Configuration TSSOP

Table 4. AD7329 Pin Function Descriptions

| Pin Mnemonic | Pin Number | Description |
|---------------------------------------|------------|--|
| SCLK | 24 | Serial Clock. Logic Input. A serial clock input provides the SCLK used for accessing the data from the AD7329. This clock is also used as the clock source for the conversion process. |
| D _{OUT} | 22 | Serial Data Output. The conversion output data is supplied to this pin as a serial data stream. The bits are clocked out on the falling edge of the SCLK input and 16 SCLKs are required to access the data. The data stream consists of three channel identification bits, followed by the sign bit followed by the 12 bits of conversion data. The data is provided MSB first. See the Serial Interface section. |
| $\overline{\text{CS}}$ | 1 | Chip Select. Active low logic input. This input provides the dual function of initiating conversions on the AD7329 and frames the serial data transfer. |
| DIN | 2 | Data In. Data to be written to the on-chip registers is provided on this input and is clocked into the register on the falling edge of SCLK. See Register section. |
| V _{DRIVE} | 21 | Logic power supply input. The voltage supplied at this pin determines at what voltage the interface will operate. This pin should be decoupled to DGND. The voltage at this pin may be different to that at V _{CC} but should never exceed V _{CC} by more than 0.3V. |
| DGND | 3, 23 | Digital Ground. Ground reference point for all digital circuitry on the AD7329. The DGND and AGND voltages ideally should be at the same potential and must not be more than 0.3 V apart even on a transient basis. |
| AGND | 4 | Analog Ground. Ground reference point for all analog circuitry on the AD7329. All analog input signals and any external reference signal should be referred to this AGND voltage. The AGND and DGND voltages ideally should be at the same potential and must not be more than 0.3 V apart, even on a transient basis. |
| REF _{IN} /REF _{OUT} | 5 | Reference Input/ Reference Output pin. The on-chip reference is available on this pin for use external to the AD7329. Alternativley, the internal reference can be disabled and an external reference applied to this input. On power up this is the default condition. The nominal internal reference voltage is 2.5 V, which appears at the pin. A 470 nF capacitor should be placed on the Reference pin. (See Reference Section) |
| V _{CC} | 20 | Analog Supply Voltage, 2.7 V to 5.25 V. This is the supply voltage for the ADC core on the AD7329. This supply should be decoupled to AGND. |
| V _{DD} | 19 | Positive power supply voltage. This is the positive supply voltage for the Analog Input section. |
| V _{SS} | 6 | Negative power supply voltage. This is the negavtive supply voltage for the Analog Input section. |
| ADC _{IN} (+) | 7 | Positive ADC input. This pin allows acces to the on chip track and hold. The voltage applied to this pin is still a high voltage signal (±10v, ±5V, ±2.5V or 0 to 10V). |
| MUX _{OUT} (+) | 8 | Multiplexer Output pin. The output of the multiplexer appears at this pin. The voltage at this pin is still a high voltage signal equivalent to the voltage applied t t the Vin(+) input channel as selected in the control register or sequence register. If no external filtering or buffering is required this pin should be tied to the ADC _{IN} (+) pin. |

| | | |
|------------------------|------------------------|---|
| MUX _{OUT} (-) | 17 | Negative ADC input. This pin allows access to the on chip track and hold. The voltage applied to this pin is still a high voltage signal when in Differential Mode. When in Single-ended mode this signal is AGND, this pin can be connected directly to the ADC _{IN} (-) pin. In Pseudo Differential Mode a small DC voltage will appear at this pin, this pin should be tied to ADC _{IN} (-) pin. |
| ADC _{IN} (-) | 18 | Negative ADC Input. This pin allows access to the track and hold. In Single Ended this pin can be tied to AGND to MUX _{OUT} (-) and in Pseudo Differential mode this pin should be connected to MUX _{OUT} (-). In true Differential Mode the voltage applied to this pin is a high voltage signal (±10V, ±5V, ±2.5V or 0 to 10V) |
| Vin0-Vin7 | 9,10,11,12,13,14,15,16 | Analog input 0 through Analog Input 7. The analog inputs are multiplexed into the on-chip track-and-hold. The analog input channel for conversion is selected by programming the channel address bits, ADD2 through ADD0, in the control register. The inputs can be configured as 8 Single-Ended Inputs, 4 True Differential Input pairs, 4 Pseudo differential inputs or 7 pseudo differential inputs. The configuration of the Analog inputs is selected by programming the Mode bits, Mode1 and Mode0, in the Control Register. The input range on each input channel is controlled by programming the range registers. Input ranges of ±10V, ±5V, ±2.5V and 0 to 10V can be selected on each analog input channel. See Register section. |

TERMINOLOGY

Differential Nonlinearity

This is the difference between the measured and the ideal 1 LSB change between any two adjacent codes in the ADC.

Integral Nonlinearity

This is the maximum deviation from a straight line passing through the endpoints of the ADC transfer function. The endpoints of the transfer function are zero scale, a point 1 LSB below the first code transition, and full scale, a point 1 LSB above the last code transition.

Offset Code Error

This applies to Straight Binary output coding. It is the deviation of the first code transition (00...000) to (00...001) from the ideal, i.e., AGND + 1 LSB.

Offset Error Match

This is the difference in Offset Error between any two input channels.

Gain Error

This applies to Straight Binary output coding. It is the deviation of the last code transition (111...110) to (111...111) from the ideal (i.e., $4 \times V_{REF} - 1 \text{ LSB}$, $2 \times V_{REF} - 1 \text{ LSB}$, $V_{REF} - 1 \text{ LSB}$) after the offset error has been adjusted out.

Gain Error Match

This is the difference in Gain Error between any two input channels.

Bipolar Zero Code Error

This applies when using twos complement output coding and a bipolar Analog Input. It is the deviation of the midscale transition (all 1s to all 0s) from the ideal V_{IN} voltage, i.e., AGND - 1 LSB.

Bipolar Zero Code Error Match

This refers to the difference in Bipolar Zero Code Error between any two input channels.

Positive Full Scale Error

This applies when using twos complement output coding and any of the bipolar Analog Input ranges. It is the deviation of the last code transition (011...110) to (011...111) from the ideal ($+4 \times V_{REF} - 1 \text{ LSB}$, $+2 \times V_{REF} - 1 \text{ LSB}$, $+V_{REF} - 1 \text{ LSB}$) after the bipolar Zero Code Error has been adjusted out.

Positive Full Scale Error Match

This is the difference in Positive Full Scale error between any two input channels.

Negative Full Scale Error

This applies when using twos complement output coding and any of the bipolar Analog Input ranges. This is the deviation of the first code transition (10...000) to (10...001) from the ideal

(i.e., $-4 \times V_{REF} + 1 \text{ LSB}$, $-2 \times V_{REF} + 1 \text{ LSB}$, $-V_{REF} + 1 \text{ LSB}$) after the Bipolar Zero Code Error has been adjusted out.

Negative Full Scale Error Match

This is the difference in Negative Full Scale error between any two input channels.

Track-and-Hold Acquisition Time

The track-and-hold amplifier returns into track mode after the fifteenth SCLK falling edge. Track-and-hold acquisition time is the time required for the output of the track-and-hold amplifier to reach its final value, within $\pm 1/2 \text{ LSB}$, after the end of conversion.

Signal to (Noise + Distortion) Ratio

This is the measured ratio of signal to (noise + distortion) at the output of the A/D converter. The signal is the rms amplitude of the fundamental. Noise is the sum of all non-fundamental signals up to half the sampling frequency ($f_s/2$), excluding dc. The ratio is dependent on the number of quantization levels in the digitization process; the more levels, the smaller the quantization noise. The theoretical signal to (noise + distortion) ratio for an ideal N-bit converter with a sine wave input is given by:

$$\text{Signal to (Noise + Distortion)} = (6.02N + 1.76) \text{ dB}$$

Thus for a 13-bit converter, this is 80.02 dB.

Total Harmonic Distortion

Total harmonic distortion (THD) is the ratio of the rms sum of harmonics to the fundamental. For the AD7329 it is defined as:

$$\text{THD(dB)} = 20 \log \frac{\sqrt{V_2^2 + V_3^2 + V_4^2 + V_5^2 + V_6^2}}{V_1}$$

where V_1 is the rms amplitude of the fundamental and V_2, V_3, V_4, V_5 and V_6 are the rms amplitudes of the second through the sixth harmonics.

Peak Harmonic or Spurious Noise

Peak harmonic or spurious noise is defined as the ratio of the rms value of the next largest component in the ADC output spectrum (up to $f_s/2$ and excluding dc) to the rms value of the fundamental. Normally, the value of this specification is determined by the largest harmonic in the spectrum, but for ADCs where the harmonics are buried in the noise floor, it will be a noise peak.

Channel-to-Channel Isolation

Channel-to-channel isolation is a measure of the level of crosstalk between any two channels. It is measured by applying a full-scale, TBD kHz sine wave signal to all unselected input channels and determining how much that signal is attenuated in

the selected channel with a 50 kHz signal. The figure given is the worst-case across all eight channels for the AD7329.

Intermodulation Distortion

With inputs consisting of sine waves at two frequencies, f_a and f_b , any active device with non-linearities will create distortion products at sum and difference frequencies of $m f_a \pm n f_b$ where $m, n = 0, 1, 2, 3$, etc. Intermodulation distortion terms are those for which neither m nor n are equal to zero. For example, the second order terms include $(f_a + f_b)$ and $(f_a - f_b)$, while the third order terms include $(2f_a + f_b)$, $(2f_a - f_b)$, $(f_a + 2f_b)$ and $(f_a - 2f_b)$.

The AD7329 is tested using the CCIF standard where two input frequencies near the top end of the input bandwidth are used. In this case, the second order terms are usually distanced in frequency from the original sine waves while the third order terms are usually at a frequency close to the input frequencies. As a result, the second and third order terms are specified separately. The calculation of the intermodulation distortion is as per the THD specification where it is the ratio of the rms sum of the individual distortion products to the rms amplitude of the sum of the fundamentals expressed in dBs.

PSR (Power Supply Rejection)

Variations in power supply will affect the full-scale transition but not the converter's linearity. Power supply rejection is the maximum change in full-scale transition point due to a change in power supply voltage from the nominal value. See Typical Performance Curves.

Theory of Operation

CIRCUIT INFORMATION

The AD7329 is a fast, 8-Channel, 12-bit plus sign, bipolar Input, serial A/D converter. The AD7329 can accept bipolar input ranges that include $\pm 10V$, $\pm 5V$, $\pm 2.5V$, it can also accept 0 to 10V unipolar input range. A different Analog input range can be programmed on each analog input channel via the on-chip registers. The AD7329 has a high speed serial interface that can operate at throughput rates up to 250 kSPS.

The AD7329 requires V_{DD} and V_{SS} dual supplies for the high voltage Analog input structures. These supplies must be equal to or greater than the Analog input range. See Table 5 for the requirements on these supplies for each Analog Input Range. The AD7329 requires a low voltage 2.7V to 5.25 V V_{CC} supply to power the ADC core.

| Selected Analog Input Range (V) | Reference Voltage (V) | Full Scale Input Range(V) | AV_{CC} (V) | Minimum V_{DD}/V_{SS} (V) |
|---------------------------------|-----------------------|---------------------------|---------------|-----------------------------|
| ± 10 | 2.5 | ± 10 | 3/5 | ± 10 |
| | 3.0 | ± 12 | 3/5 | ± 12 |
| ± 5 | 2.5 | ± 5 | 3/5 | ± 5 |
| | 3.0 | ± 6 | 3/5 | ± 6 |
| ± 2.5 | 2.5 | ± 2.5 | 3/5 | ± 5 |
| | 3.0 | ± 3 | 3/5 | ± 5 |
| 0 to 10 | 2.5 | 0 to 10 | 3/5 | +10/AGND |
| | 3.0 | 0 to 12 | 3/5 | +12/AGND |

Table 5. Reference and Supply Requirements for each Analog Input Range

In order to meet the specified performance specifications when the AD7329 is configured with the minimum V_{DD} and V_{SS} supplies for a chosen Analog input range the throughput rate should be decreased from the maximum throughput range. See typical performance curves.

The Analog Inputs can be configured as either 8 Single-Ended inputs, 4 True Differential Inputs, 4 Pseudo Differential Inputs or 7 Pseudo Differential Inputs. Selection can be made by programming the Mode bits, Mode0 and Mode1, in the Control Register.

The serial clock input accesses data from the part but also provides the clock source for each successive approximation ADC. The AD7329 has an on-chip 2.5 V reference. However the AD7329 can also work with an external Reference. On power up the external reference operation is the default option. If the internal Reference is the preferred option the user must write to the reference bit in the control register to select the internal Reference operation.

The AD7329 also features power-down options to allow power saving between conversions. The power-down modes are selected by programming the on-chip Control Register, as described in the Modes of Operation section.

CONVERTER OPERATION

The AD7329 is a successive approximation analog-to-digital converter, based around two capacitive DACs. Figure 4 and Figure 5 show simplified schematics of the ADCs in Single Ended Mode during the acquisition and conversion phase, respectively. Figure 6 and Figure 7 show simplified schematics of the ADCs in Differential Mode during acquisition and conversion phase, respectively. In both examples the MUXOUT(+) pin is connected to the ADCIN(+) pin and the MUXOUT(-) pin is connected to the ADCIN(-) pin. The ADC is comprised of control logic, a SAR, and a capacitive DAC. In Figure 4 (the acquisition phase), SW2 is closed and SW1 is in position A, the comparator is held in a balanced condition, and the sampling capacitor array acquires the signal on the input.

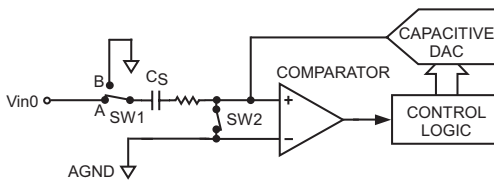


Figure 4. ADC Acquisition Phase(Single Ended)

When the ADC starts a conversion (Figure 5), SW2 will open and SW1 will move to position B, causing the comparator to become unbalanced. The control logic and the charge redistribution DAC is used to add and subtract fixed amounts of charge from the capacitive DAC to bring the comparator back into a balanced condition. When the comparator is rebalanced, the conversion is complete. The Control Logic generates the ADC output code

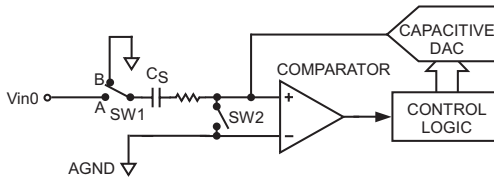


Figure 5. ADC Conversion Phase(Single Ended)

Figure 6 shows the differential configuration during the Acquisition phase. For the Conversion Phase, SW3 will open, SW1 and SW2 will move to position B, Figure 7. The output impedances of the source driving the Vin+ and Vin- pins must be matched; otherwise the two inputs will have different settling times, resulting in errors.

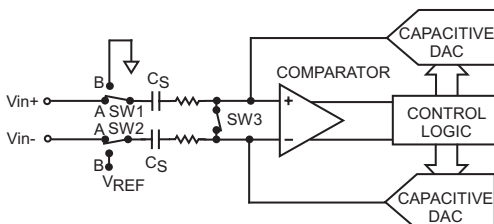


Figure 6. ADC Differential Configuration during Acquisition Phase

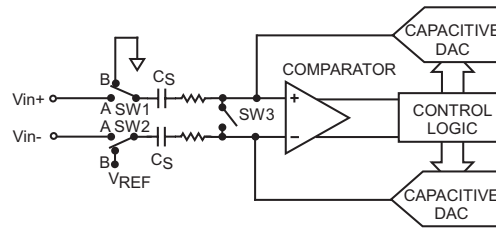


Figure 7. ADC Differential Configuration during Conversion Phase

Output Coding

The AD7329 default output coding is set to two's complement. The output coding is controlled by the Coding bit in the Control Register. To change the output coding to Straight Binary Coding the Coding bit in the Control Register must be set. When operating in Sequence mode the output coding for each channel in the sequence will be the value written to the coding bit during the last write to the Control Register.

Transfer Functions

The designed code transitions occur at successive integer LSB values (i.e., 1 LSB, 2 LSB, and so on). The LSB size is dependant on the Analog input Range selected.

| Input Range | Full Scale Range/8192 | LSB Size |
|-------------|-----------------------|----------|
| ±10V | 20V/8192 | 2.441 mV |
| ±5V | 10V/8192 | 1.22 mV |
| ±2.5V | 5V/8192 | 0.61 mV |
| 0 to 10V | 10V/8192 | 1.22 mV |

Table 6. LSB sizes for each Analog Input Range

The ideal transfer characteristic for the AD7329 when Twos Complement coding is selected is shown in Figure 8, and the ideal transfer characteristic for the AD7329 when Straight Binary coding is selected is shown in Figure 9.

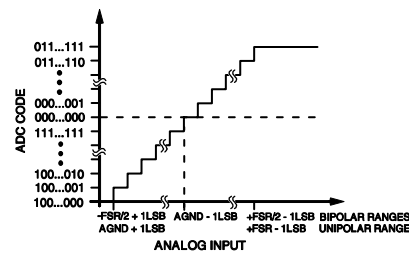


Figure 8 Twos Complement Transfer Characteristic (Bipolar Ranges)

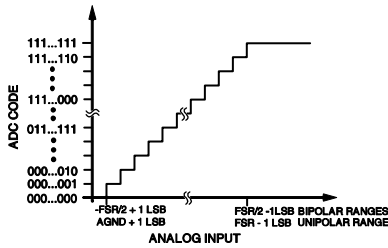


Figure 9. Straight Binary Transfer Characteristic (Bipolar Ranges)

ANALOG INPUT

The analog inputs of the AD7329 may be configured as Single-Ended, True differential or Pseudo Differential via the Control Register Mode Bits as shown in Table 3 of the Register Section. The AD7329 can accept True bipolar input signals. On power up the Analog inputs will operate as 8 Single-Ended Analog Input Channels. If True Differential or Pseudo Differential is required, a write to the Control register is necessary to change this configuration after power up.

Figure 10 shows the equivalent Analog input circuit of the AD7329 in Single-Ended Mode. Figure 11 shows the equivalent Analog input structure in Differential mode. The Two Diodes provide ESD protection for the Analog Inputs.

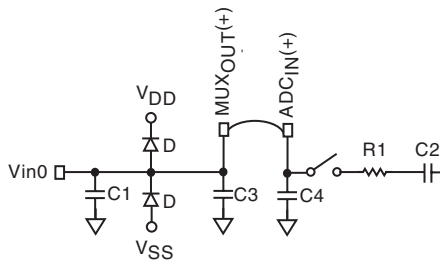


Figure 10. Equivalent Analog Input Circuit-(Single Ended)

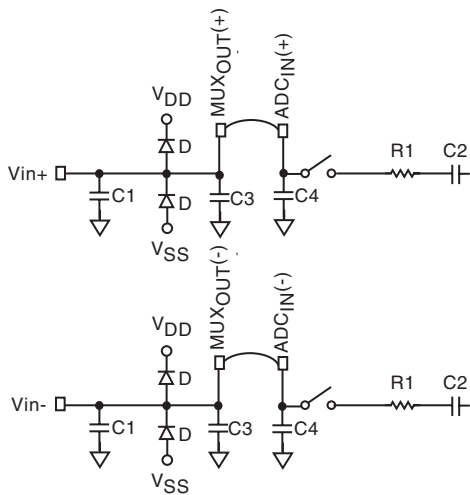


Figure 11. Equivalent Analog Input Circuit-(Differential)

Care should be taken to ensure the Analog Input never exceeds the V_{DD} and V_{SS} supply rails by more than 300 mV. This will cause the diodes to become forward biased and start

conducting into either the V_{DD} or V_{SS} rails. These diodes can conduct up to 10 mA without causing irreversible damage to the part.

The Capacitors C1, C3 and C4 in figure 10 and 11 are typically 4 pF and can primarily be attributed to pin capacitance. The resistor R1, is a lumped component made up of the on-resistance of the input multiplexer and the track-and-hold switch. The Capacitor C2, is the sampling capacitor, its capacitance will vary depending on the Analog input range selected. (See specifications section)

Track-and-Hold Section

The Track-and-Hold on the Analog Input of the AD7329 allows the ADC to accurately convert an input sine wave of full scale amplitude to 13-Bit accuracy. The input bandwidth of the Track-and-Hold is greater than the Nyquist rate of the ADC, the AD7329 can handle frequencies up to TBD MHz.

The ADC_{IN} pins connect directly to the input stage of the track-and-hold circuit. This is a high impedance input. Connecting the MUX_{OUT} pins directly to the ADC_{IN} pins connects the multiplexer output to the track and hold circuit. The input voltage range on the ADC_{IN} pins is determined by the range register bits for the input channel selected. The user must ensure that the input voltage to the ADC_{IN} pins is within the selected voltage range.

The Track-and-Hold enters its tracking mode on the 14th SCLK rising edge after the CS falling edge. The time required to acquire an input signal will depend on how quickly the sampling capacitor is charged. With zero source impedance 250 ns will be sufficient to acquire the signal to the 13-bit level.

The acquisition time required is calculated using the following formula:

$$t_{ACQ} = 10 \times ((R_{SOURCE} + R) C)$$

where C is the Sampling Capacitance and R is the resistance seen by the track-and-hold amplifier looking back on the input. For the AD7329, the value of R will include the on-resistance of the input multiplexer. The value of R is typically 300 Ω. R_{SOURCE} should include any extra source impedance on the Analog input.

The AD7329 enters track on the 14th SCLK rising edge. When running the AD7329 at a throughput rate of 250 ksp/s with a 5 MHz SCLK signal the ADC will have approx. 1.5 SCLK periods plus t_s plus the quiet time, T_{QUIET}, in order to acquire the analog input signal. The ADC goes back into hold on the CS falling edge.

TYPICAL CONNECTION DIAGRAM

Figure 12 shows a typical connection diagram for the AD7329. In this configuration the AGND pin is connected to the Analog ground plane of the system. The DGND pin is connected to the Digital ground plane of the system. The Analog Inputs on the AD7329 can be configured to operate in Single Ended, True Differential or Pseudo Differential Mode. The AD7329 can operate with either the internal or an external reference. In Figure 12, the AD7329 is configured to operate with the internal 2.5V reference. A 470 nF decoupling capacitor is required when operating with the internal reference.

The V_{CC} pin can be connected to either a 3V or a 5V supply voltage. The V_{DD} and V_{SS} are the dual supplies for the high voltage analog input structures. The voltage on these pins must be equal to or greater than the highest analog input range selected on the analog input channels, see Table 5 for more information. The V_{DRIVE} pin is connected to the supply voltage of the microprocessor. The voltage applied to the V_{DRIVE} input controls the voltage of the serial interface.

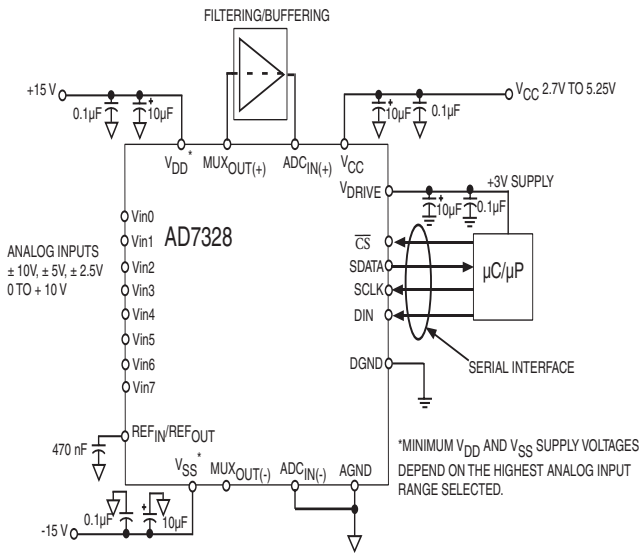
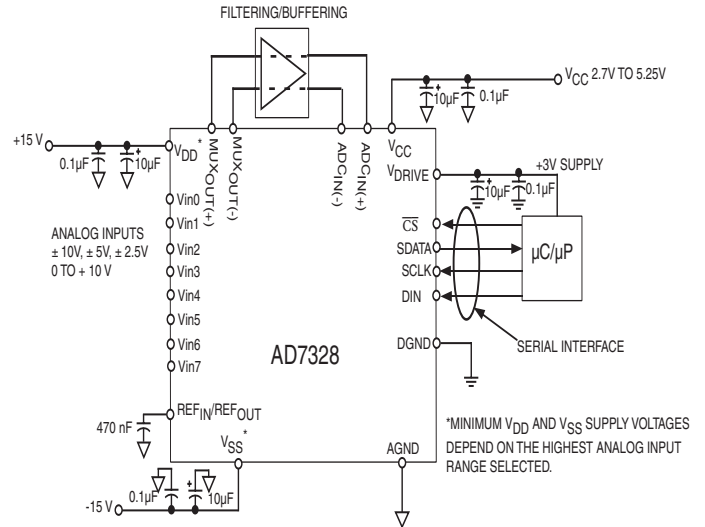


Figure 12. Typical Connection Diagram (Single-Ended mode)

Figure 13. Typical Connection Diagram (Differential Mode)



AD7329 REGISTERS

The AD7329 has four-programmable registers, the **Control Register**, **Sequence Register**, **Range Register1** and **Range Register2**. These registers are write only registers.

Addressing these Registers

A serial transfer on the AD7329 consists of 16 SCLK cycles. The three MSBs on the DIN line during this 16 SCLK transfer are decoded to determine which register is addressed. The three MSBs consists of the Write bit, Register Select 1 bit and Register Select 2 bit. The Register Select bits are used to determine which of the four on-board registers is selected. The Write bit will determine if the Data on the DIN line following the Register select bits will be loaded into the addressed register or not. If the Write bit is 1 the bits will be loaded into the register addressed by the Register Select bits. If the Write Bit is a 0 the data on the DIN will not be loaded into any register.

Table 7. Decoding Register Select bits and Write bit.

| Write | Register Select1 | Register Select2 | Comment |
|-------|------------------|------------------|--|
| 0 | 0 | 0 | Data on the DIN line during this serial transfer will be ignored |
| 1 | 0 | 0 | This combination selects the Control Register. The subsequent 12 bits will be loaded into the Control Register. |
| 1 | 0 | 1 | This combination selects the Range Register 1 . The subsequent 8 bits will be loaded into the Range Register1. |
| 1 | 1 | 0 | This combination selects the Range Register 2. The subsequent 8 bits will be loaded into the Range Register 2. |
| 1 | 1 | 1 | This combination selects the Sequence Register. The subsequent 8 bits will be loaded into the Sequence Register. |

CONTROL REGISTER

The Control Register is used to select the Analog Input Channel for conversion, Analog Input configuration, Reference, Coding, Power mode etc. The Control Register is a write only 12-bit register. Data loaded on the DIN line corresponds to the AD7329 configuration for the next conversion. Data should be loaded into the Control Register after the Range Registers and the Sequence Register has been initialized, that is if the Sequence register is being used. The bit functions of the Control Register are outlined in **Table 8**.

Control Register (The Power-up status of all bits is 0)

MSB

LSB

| | | | | | | | | | | | | | | | |
|-------|-------------------|-------------------|------|------|------|-------|-------|-----|-----|--------|-----|------|------|----------------|---|
| Write | Register Select 1 | Register Select 2 | ADD2 | ADD1 | ADD0 | Mode1 | Mode0 | PM1 | PM0 | Coding | Ref | Seq1 | Seq2 | Weak/Tri-State | 0 |
|-------|-------------------|-------------------|------|------|------|-------|-------|-----|-----|--------|-----|------|------|----------------|---|

Table 8. Control Register

| Bit | Mnemonic | Comment |
|----------|------------------|--|
| 12,11,10 | ADD2, ADD1, ADD0 | These three Channel Address bits are used to select the analog input channel for the next conversion if the Sequencer is not being used. If the Sequencer is being used, these three Channel Address bits are used to select the final channel in a consecutive sequence. |
| 9, 8 | Mode1, Mode0 | These two mode bits are used to select the configuration on the eight Analog Input Pins. They are used in conjunction with the channel Address bits. On the AD7329 the analog inputs can be configured as either 8 Single Ended Inputs, 4 Fully Differential Inputs, 4 Pseudo Differential inputs or 7 Pseudo Differential Inputs. See Table 9. |
| 7,6 | PM1, PM0 | Power Management Bits. These two bits are used to select different power mode options on the AD7329. See Table 10. |
| 5 | Coding | This bit is used to select the type of output coding the AD7329 will use for the next conversion result. If the Coding = 0 then the output coding will be 2s Complement. If Coding = 1, then the output coding will be Straight Binary. When operating in Sequence mode the output coding for each channel will be the value written to the coding bit during the last write to the Control Register. |
| 4 | Ref | Reference bit. This bit is used to enable or disable the internal reference. If this Ref = 0 then the External Reference will be enable and used for the next conversion and the internal reference will be disabled. If ref = 1 then the Internal Reference will be used for the next conversion. When operating in Sequence mode the Reference used for each channel will be the value written to the Ref bit during the last write to the Control Register. |
| 3,2 | Seq1/Seq2 | The Sequence 1 and Sequence 2 bits are used to control the operation of the Sequencer. See Table 11. |
| 1 | Weak/Tri-State | This bit selects the state of the DOUT line at the end of the current serial transfer. If it is set to 1, the DOUT line will be weakly driven to the channel address bit ADD2 of the ensuing conversion. If this bit is set to 0, then DOUT will return to three-state at the end of the serial transfer. See the Serial Interface section for more details. |

The 8 Analog Input channels can be configured as either, 7 Pseudo Differential Analog Inputs, 4 Pseudo Differential Inputs, 4 True Differential Inputs or 8 Single Ended Analog Inputs.

Table 9. Analog Input Configuration Selection

| Channel Address Bits | | | Mode1 = 1, Mode0 = 1 | | Mode1 = 1, Mode0 = 0 | | Mode1 = 0, Mode0 = 1 | | Mode1 = 0, Mode0 = 0 | |
|----------------------|------|------|----------------------------|------|---------------------------|------|----------------------------|------|-------------------------|------|
| | | | 7 Pseudo Differential I/ps | | 4 Fully Differential i/ps | | 4 Pseudo Differential i/ps | | Eight-Single Ended i/ps | |
| ADD2 | ADD1 | ADD0 | Vin+ | Vin- | Vin+ | Vin- | Vin+ | Vin- | Vin+ | Vin- |
| 0 | 0 | 0 | Vin0 | Vin7 | Vin0 | Vin1 | Vin0 | Vin1 | Vin0 | AGND |
| 0 | 0 | 1 | Vin1 | Vin7 | Vin0 | Vin1 | Vin0 | Vin1 | Vin1 | AGND |
| 0 | 1 | 0 | Vin2 | Vin7 | Vin2 | Vin3 | Vin2 | Vin3 | Vin2 | AGND |
| 0 | 1 | 1 | Vin3 | Vin7 | Vin2 | Vin3 | Vin2 | Vin3 | Vin3 | AGND |
| 1 | 0 | 0 | Vin4 | Vin7 | Vin4 | Vin5 | Vin4 | Vin5 | Vin4 | AGND |
| 1 | 0 | 1 | Vin5 | Vin7 | Vin4 | Vin5 | Vin4 | Vin5 | Vin5 | AGND |
| 1 | 1 | 0 | Vin6 | Vin7 | Vin6 | Vin7 | Vin6 | Vin7 | Vin6 | AGND |
| 1 | 1 | 1 | Not Allowed | | Vin6 | Vin7 | Vin6 | Vin7 | Vin7 | AGND |

Table 10. Power Mode Selection

| PM1 | PM0 | Description |
|-----|-----|--|
| 1 | 1 | Full Shutdown Mode, In this mode all internal circuitry on the AD7329 is powered down. Information in the Control register is retained when the AD7329 is in Full Shutdown Mode. |
| 1 | 0 | Auto Shutdown Mode, The AD7329 will enter Full Shut down at the end of each conversion when the control register is updated. All internal circuitry is powered down in Full Shutdown. |
| 0 | 1 | Auto Standby Mode, In this mode all internal circuitry is powered down excluding the internal Reference. The AD7329 will enter Auto Standby Mode at the end of the Conversion after the control register is updated. |
| 0 | 0 | Normal Mode, All internal Circuitry is powered up at all times. |

Table 11. Sequencer Selection

| Seq1 | Seq2 | Sequence type |
|------|------|--|
| 0 | 0 | The Channel Sequencer is not used. The Analog Channel selected by programming the ADD2 to ADD0 bits in the Control Register selects the next channel for conversion. |
| 0 | 1 | This selects the Sequence of Channels as previously programmed in the Sequence register for conversion. The AD7329 will start converting on the lowest channel in the sequence. It converts the channels in ascending order. If uninterrupted the AD7329 will keep converting the sequence. The range for each channel will default to the Ranges previously written into the Range Registers. |
| 1 | 0 | This Configuration is used in conjunction with the Channel Address Bits in the Control Register. It allows continuous conversions on a consecutive sequence of channels, from channel 0, up to and including, a final channel selected by the Channel Address Bits in the control register. The range for each channel will default to the Ranges previously written into the Range Registers. |
| 1 | 1 | The Channel Sequencer is not used. The Analog Channel selected by programming the ADD2 to ADD0 bits in the Control Register selects the next channel for conversion. |

THE SEQUENCE REGISTER

The Sequence Register on the AD7329 is an 8-Bit Write only register. Each of the eight Analog input channels has one corresponding bit in the Sequence Register. To select a channel for inclusion in the sequence set the corresponding channel bit to 1 in the Sequence Register.

Sequence Register

| | | | | | | | | | | | | | | | |
|-------|-------------------|-------------------|------|------|------|------|------|------|------|------|---|---|---|---|---|
| MSB | | | | | | | | | | LSB | | | | | |
| Write | Register Select 1 | Register Select 2 | Vin0 | Vin1 | Vin2 | Vin3 | Vin4 | Vin5 | Vin6 | Vin7 | 0 | 0 | 0 | 0 | 0 |

THE RANGE REGISTERS

The Range register is used to select one Analog input Range per Analog input channel. Range Register 1 is used to set the Ranges for Channels 0 to 3. It is an 8-Bit write only Register, with two dedicated Range bits for each of the Analog Input Channels from Channel 0 to Channel 3. There are four Analog input Ranges to choose from, $\pm 10V$, $\pm 5V$, $\pm 2.5V$, 0 to 10V. A write to the Range Register1 is selected by setting the Write bit to 1 and the Range Select bits to 0, 1. Once the initial write to the Range Register1 occurs the AD7329 automatically configure the Analog inputs from Channel 0 to Channel 3 to the appropriate range, as indicated by the Range register1, each time any one of these analog input channels is selected. The $\pm 10V$ input Range is selected by default on each analog input channel. See Table 12.

Range Register 1

| | | | | | | | | | | | | | | | |
|-------|--------------|--------------|-------|-------|-------|-------|-------|-------|-------|-------|-----|---|---|---|---|
| MSB | | | | | | | | | | | LSB | | | | |
| Write | Reg Select 1 | Reg Select 2 | Vin0A | Vin0B | Vin1A | Vin1B | Vin2A | Vin2B | Vin3A | Vin3B | 0 | 0 | 0 | 0 | 0 |

Range Register 2 is used to set the Ranges for Channels 4 to 7. It is an 8-Bit write only Register, with two dedicated Range bits for each of the Analog Input Channels from Channel 4 to Channel 7. There are four Analog input Ranges to choose from, $\pm 10V$, $\pm 5V$, $\pm 2.5V$, 0 to 10V. A write to the Range Register2 is selected by setting the Write bit to 1 and the Range Select bits to 1, 0. Once the initial write to the Range Register2 occurs the AD7329 automatically configure the Analog inputs from Channel 4 to Channel 7 to the appropriate range, as indicated by the Range register2, each time any of these analog input channels is selected. The $\pm 10V$ input Range is selected by default on each analog input channel. See Table 12.

Range Register 2

| | | | | | | | | | | | | | | | |
|-------|--------------|--------------|-------|-------|-------|-------|-------|-------|-------|-------|-----|---|---|---|---|
| MSB | | | | | | | | | | | LSB | | | | |
| Write | Reg Select 1 | Reg Select 2 | Vin4A | Vin4B | Vin5A | Vin5B | Vin6A | Vin6B | Vin7A | Vin7B | 0 | 0 | 0 | 0 | 0 |

Table 12. Range Selection

| VinXA | VinXB | Description |
|-------|-------|--|
| 0 | 0 | This combination selects the $\pm 10V$ Input Range on Analog Input X. |
| 0 | 1 | This combination selects the $\pm 5V$ Input Range on Analog Input X. |
| 1 | 0 | This combination selects the $\pm 2.5V$ Input Range on Analog Input X. |
| 1 | 1 | This combination selects the 0 to 10V Input Range on Analog Input X. |

SEQUENCER OPERATION

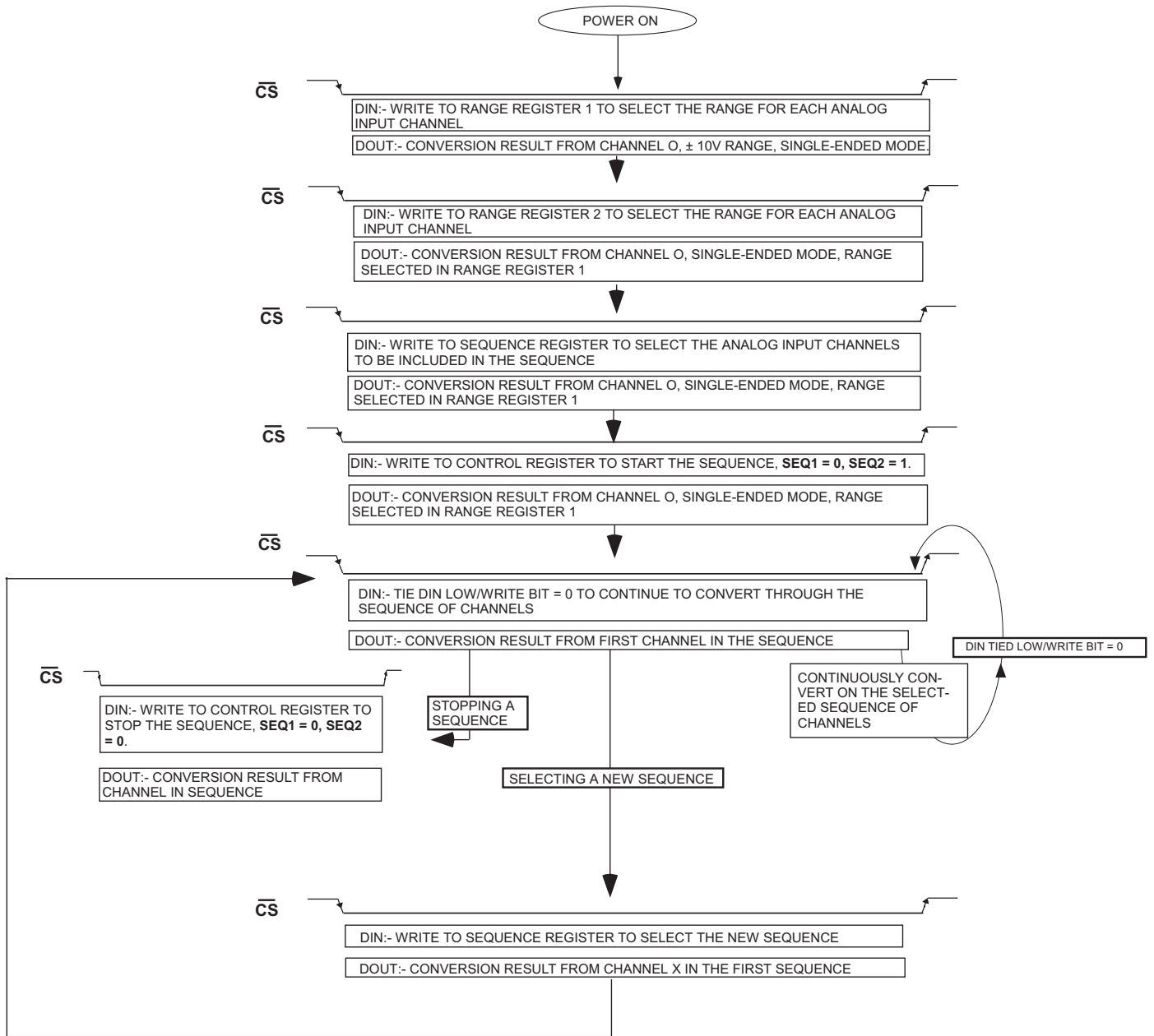


Figure 14. Programmable sequence Flow Chart

The AD7329 can be configured to automatically cycle through a number of selected channels using the on-chip sequence register and the SEQ1 and SEQ2 bits in the control register. Figure 14 shows how to program the AD7329 register in order to operate in sequence mode.

After power up all of the four on-chip registers will contain default values. Each analog input will have a default input range of $\pm 10V$. If different Analog input ranges are required then a write to the range registers is required, this is shown in the first two serial transfers in Figure 14. These two initial serial transfers are only necessary if Input ranges other than the

default Ranges are required. After the Analog Input ranges are configured a write to the Sequence register is necessary to select the channels to be included in the sequence. Once the channels for the sequence have been selected, the sequence can be initiated by writing to the control register and setting the SEQ1 = 0, SEQ2 = 1. The AD7329 will continue to convert through the selected sequence uninterrupted provided the Sequence Register remains unchanged and SEQ1 = 0 and SEQ2 = 1 in the Control Register.

If during a sequence a change to one of the range registers is required, it is first necessary to stop the sequence by writing to

the Control Register and setting SEQ1 = 0 and SEQ2 = 0. Next the write to the range register can be completed to change the required range. Then the previously selected sequence can be initiated again by writing to the Control Register and setting SEQ1 = 0 and SEQ2 = 1, the ADC will then convert on the first channel in the sequence.

The AD7329 can be configured to convert a sequence of consecutive channels, See Figure 15. This sequence will begin by converting on channel 0 and end with a final channel as selected by bits ADD2 to ADD0 in the Control Register. In this configuration there is no need for a write to the Sequence register. To operate the AD7329 in this mode set SEQ1 = 1 and SEQ2 = 0 and select the final channel in the sequence by programming bits ADD2 to ADD0 in the Control Register.

Once the control register is configured to operate the AD7329 in this mode the DIN line can be held low or the WRITE bit can be set to 0 in order to keep the AD7329 operating in this mode. To return to traditional multichannel operation a write to the Control Register is necessary, setting SEQ1 = 0 and SEQ2 = 0.

When the SEQ1 and SEQ2 are both set to 0 or when both are set to 1 the AD7329 is configured to operate in traditional multichannel mode where a write to the channel Address bits, ADD2 to ADD0, in the Control Register selects the next channel for conversion.

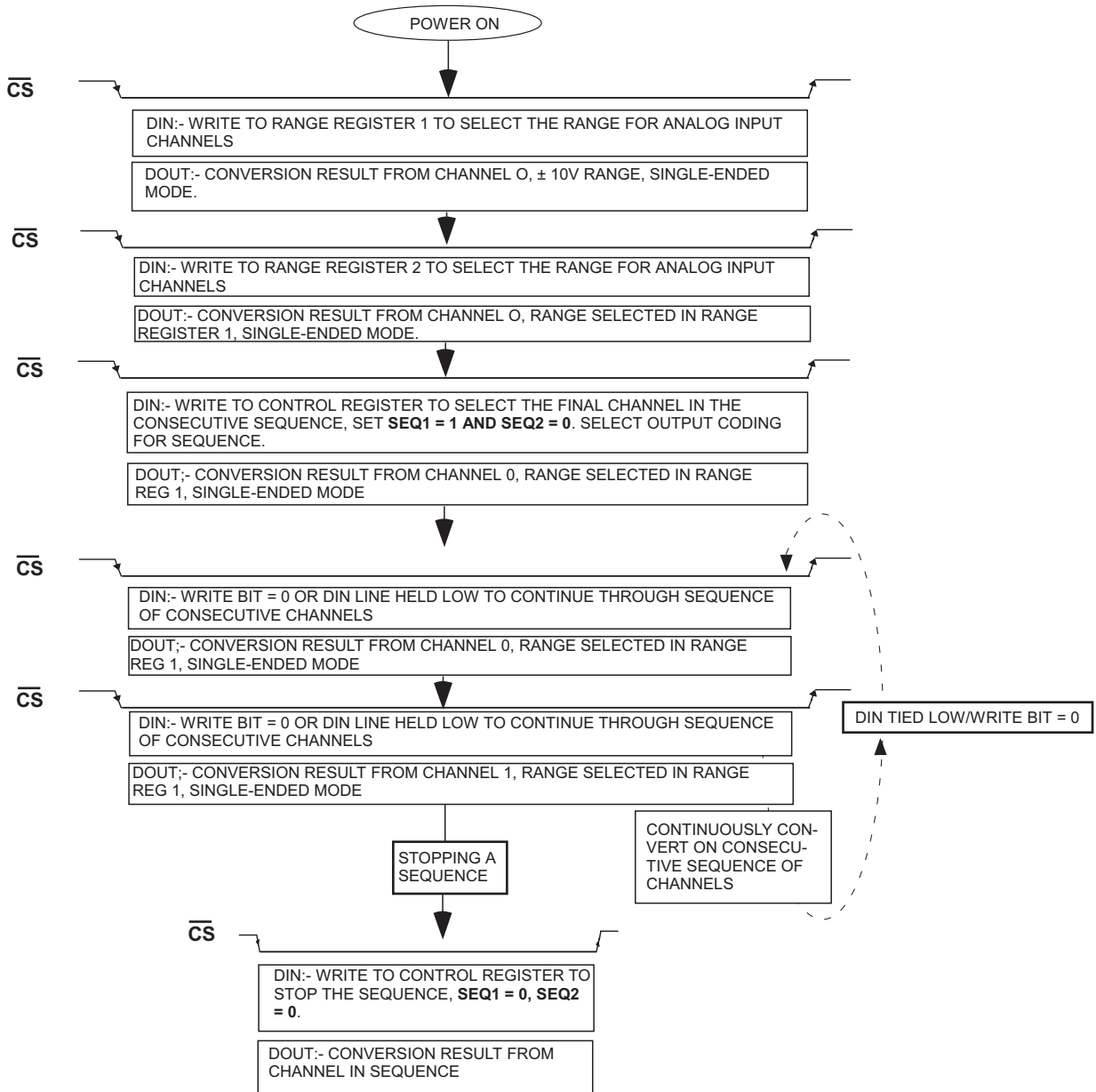


Figure 15 Flow Chart for Consecutive Sequence of Channels

REFERENCE

The AD7329 can operate with either the internal 2.5V on-chip reference or an externally applied reference. The internal reference is selected by setting the REF bit in the Control Register to 1. On power up the REF bit will be 0, selecting the external Reference for the AD7329 conversion. For external reference operation the REF_{IN}/REF_{OUT} pin should be decoupled to AGND with a 470 nF capacitor.

The internal Reference circuitry consists of a 2.5V band gap reference and a reference buffer. When operating the AD7329 in internal Reference mode the 2.5V internal reference is available at the REF_{IN}/REF_{OUT} pin. When using the AD7329 with the internal reference the REF_{IN}/REF_{OUT} pin should be decoupled to AGND using a 470 nF cap. It is recommended that the Internal Reference be buffered before applying it elsewhere in the system.

The AD7329 is specified for a 2.5V to 3V reference range. When a 3V reference is selected the ranges will be, $\pm 12V$, $\pm 6V$, $\pm 3V$ and 0 to 12V. For these ranges the V_{DD} and V_{SS} supply must be equal to or greater than the max Analog Input Range selected.

On power up if the internal reference operation is required for the ADC conversion a write to the control register is necessary to set the REF bit to 1. During the Control Register write the conversion result from the first initial conversion will be invalid. The reference buffer will require TBD us to power up and charge the 470 nF decoupling cap, during the power up time the conversion result from the ADC will be invalid.

MODES OF OPERATION

The AD7329 has a number of different modes of operation. These modes are designed to provide flexible power management options. These options can be chosen to optimize the power dissipation/throughput rate ratio for the differing application requirements. The mode of operation of the AD7329 is controlled by the Power Management bits, PM1 and PM0, in the Control register as detailed in **Table 10**. The default mode is Normal Mode, where all internal circuitry is fully powered up.

Normal Mode (PM1 = PM0 = 0)

This mode is intended for the fastest throughput rate performance, the AD7329 is fully powered up at all times. Figure 16 shows the general diagram of operation of the AD7329 in Normal Mode.

The Conversion is initiated on the falling edge of \overline{CS} and the track and hold will enter hold mode as described in the Serial Interface Section. The Data on the DIN line during the 16 SCLK transfer will be loaded into one of the on-chip registers, provided the Write bit is set. The register is selected by programming the Register select bits, see Table 1 of the Register section.

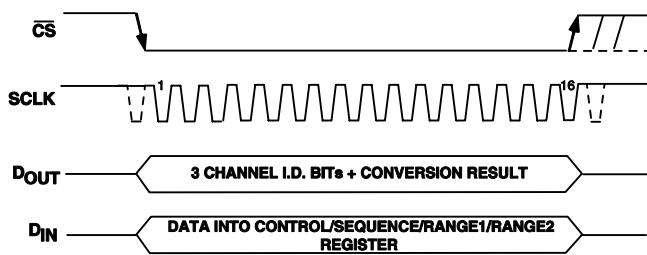


Figure 16. Normal Mode

The AD7329 will remain fully powered up at the end of the conversion provided both PM1 and PM0 contain 0 in the control Register.

Sixteen serial clock cycles are required to complete the conversion and access the conversion result. At the end of the conversion \overline{CS} may idle high until the next conversion or may idle low until sometime prior to the next conversion.

Once the data transfer is complete, another conversion can be initiated after the quiet time, t_{QUIET} , has elapsed.

Full Shutdown Mode (PM1 = PM0 = 1)

In this mode all internal circuitry on the AD7329 is powered down. The part retains information in the Registers during Full Shut down. The AD7329 remains in Full shutdown mode until the power managements bits in the Control Register, PM1 and PM0, are changed.

If a write to the control register occurs while the part is in Full Shut down mode, with the power management bits, PM1 and PM0 set to 0, normal mode, the part will begin to power up on the \overline{CS} rising edge.

To ensure the AD7329 is fully powered up, $t_{POWER\ UP}$, should elapse before the next \overline{CS} falling edge.

Auto Shutdown Mode (PM1 = 1, PM0 = 0)

Once the Auto Shutdown mode is selected the AD7329 will automatically enter shutdown at the end of each conversion. The AD7329 retains information in the registers during Shutdown. The track-and-hold is in hold during shutdown. On the falling CS edge, the track-and-hold that was in hold during shutdown will return to track.

The power-up from Auto Shutdown is TBD μ s

In this mode the power consumption of the AD7329 is greatly reduced with the part entering shutdown at the end of each conversion. When the control registers is programmed to move into Auto Shutdown mode, it does so at the end of the conversion.

Auto Standby Mode (PM1 = 0, PM0 = 1)

In Auto Standby mode portions of the AD7329 are powered down but the on-chip reference remains powered up. The reference bit in the Control register should be 0 to ensure the on-chip reference is enabled. This mode is similar to Auto Shutdown but allows the AD7329 to power up much faster, allowing faster throughput rates to be achieved.

The AD7329 will enter standby at the end of the conversion. The part retains information in the Registers during Standby. The AD7329 will remain in standby until it receives a \overline{CS} falling edge. The ADC will begin to power up on the \overline{CS} falling edge. On this \overline{CS} falling edge the track-and-hold that was in hold mode while the part was in Standby will return to track. Wake-up time from Standby is 1 μ s. The user should ensure that 1 μ s has elapsed before attempting a valid conversion. When running the AD7329 with the maximum 5 Mhz SCLK, one dummy conversion of 16 x SCLKs is sufficient to power up the ADC. This dummy conversion effectively halves the throughput rate of the AD7329, with every second conversion result being a valid result. Once Auto Standby mode is selected, the ADC can move in and out of the low power state by controlling the \overline{CS} signal.

SERIAL INTERFACE

Figure 17 shows the timing diagram for the serial interface of the AD7329. The serial clock applied to the SCLK pin provides the conversion clock and also controls the transfer of information to and from the AD7329 during a conversion.

The \overline{CS} signal initiates the data transfer and the conversion process. The falling edge of \overline{CS} puts the track-and-hold into hold mode, take the bus out of three-state and the analog input signal is sampled at this point. Once the conversion is initiated it will require 16 SCLK cycles to complete.

The track-and-hold will go back into track on the 14th SCLK rising edge. On the sixteenth SCLK falling edge, the DOUT line will return to three-state. If the rising edge of \overline{CS} occurs before 16 SCLK cycles have elapsed, the conversion will be terminated, the DOUT line will return to three-state, and depending on

where the \overline{CS} signal is brought high the addressed register may or may not be updated. Data is clocked into the AD7329 on the SCLK falling edge. The three MSBs on the DIN line are decoded to select which register is being addressed. The Control Register is a twelve bit register, if the control register is addressed by the three MSB, the data on the DIN line will be loaded into the Control on the 15th SCLK falling edge. If the Sequence register or either of the Range registers is addressed the data on the DIN line will be loaded into the addressed register on the 11th SCLK falling edge.

Conversion data is clocked out of the AD7329 on each SCLK falling edge. Data on the DOUT line will consist of three channel identifier bits, a Sign bit and a 12-bit conversion result. The channel identifier bits are used to indicate which channel the conversion result corresponds to.

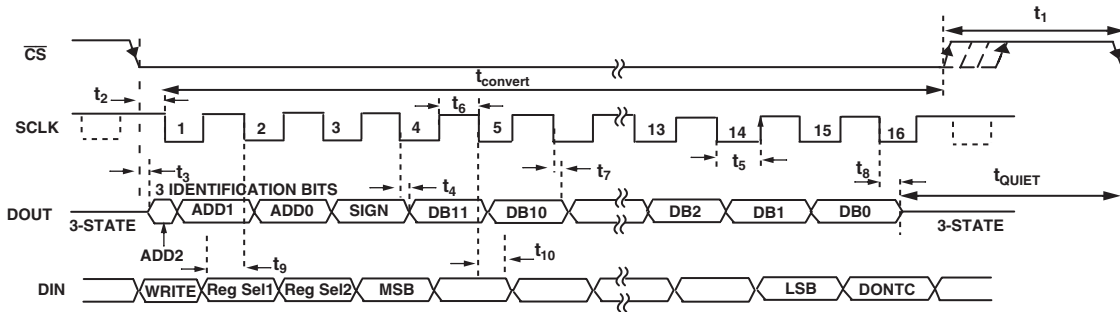
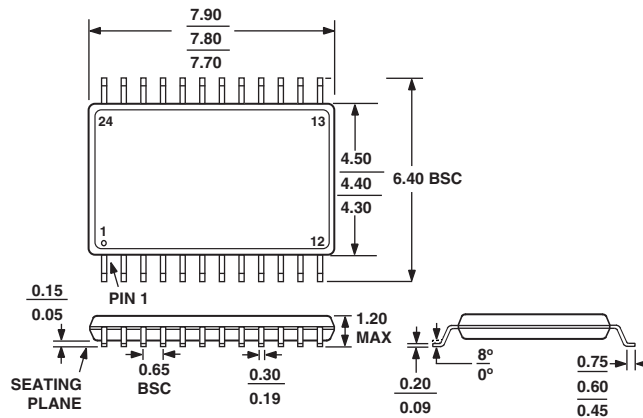


Figure 17. Serial Interface timing Diagram (Control register write)

OUTLINE DIMENSIONS

24-Lead Thin Shrink Small Outline (TSSOP) (RU-24)

Dimensions shown in millimeters



Ordering Guide

| AD7329 Products | Temperature Package | Package Description | Package Outline |
|-------------------------------|---------------------|---------------------|-----------------|
| AD7329BRUZ | -40°C to +85°C | TSSOP | RU-24 |
| EVAL-AD7329CB ¹ | | Evaluation Board | |
| EVAL-CONTROL BRD ² | | Controller Board | |

NOTES

- 1 This can be used as a stand-alone evaluation board or in conjunction with the EVAL-CONTROL Board for evaluation/demonstration purposes.
- 2 This board is a complete unit allowing a PC to control and communicate with all Analog Devices evaluation boards ending in the CB designators. To order a complete evaluation kit, the particular ADC evaluation board, e.g., EVAL-AD7329CB, the EVAL-CONTROL BRD2, and a 12V transformer must be ordered. See relevant Evaluation Board Technical note for more information.

ESD CAUTION

ESD (electrostatic discharge) sensitive device. Electrostatic charges as high as 4000 V readily accumulate on the human body and test equipment and can discharge without detection. Although this product features proprietary ESD protection circuitry, permanent damage may occur on devices subjected to high energy electrostatic discharges. Therefore, proper ESD precautions are recommended to avoid performance degradation or loss of functionality.

